

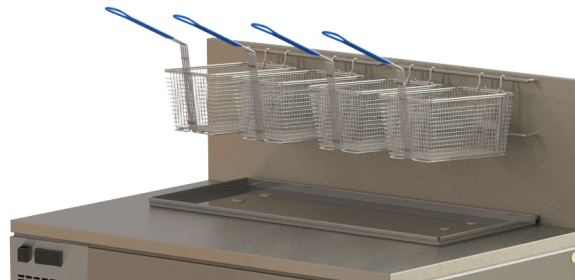
Fryer Station Worktop (FR4S)

for Side Engine Prep Station Units (VCS2)



VCS2/CW/FR4S (Pictured)
Standard Castors (C)
Solid Worktop (W)
Fry Basket Rack (FR4S)

- Fryer Stations are formed as a vertical extension to the Solid Worktop, with four deep fry basket hangers
- Highly ergonomic solution, with chilled or frozen foods quickly and easily loaded from the Adande Drawers into the deep fry baskets
- To collect cooking fat from the deep fry baskets, a removable drip tray is included
- Deep fry baskets not included



Removable Drip Tray
& Basket Hangers

Fryer Station Worktop (FR4R)

for Rear Engine Prep Station Units (VCR2)



VCR2/CW/FR4R (Pictured)
Standard Castors (C)
Solid Worktop (W)
Fry Basket Rack (FR4R)

Side Engine Double Drawer Unit (VCS2)
with Fryer Station Worktop (FR4S)

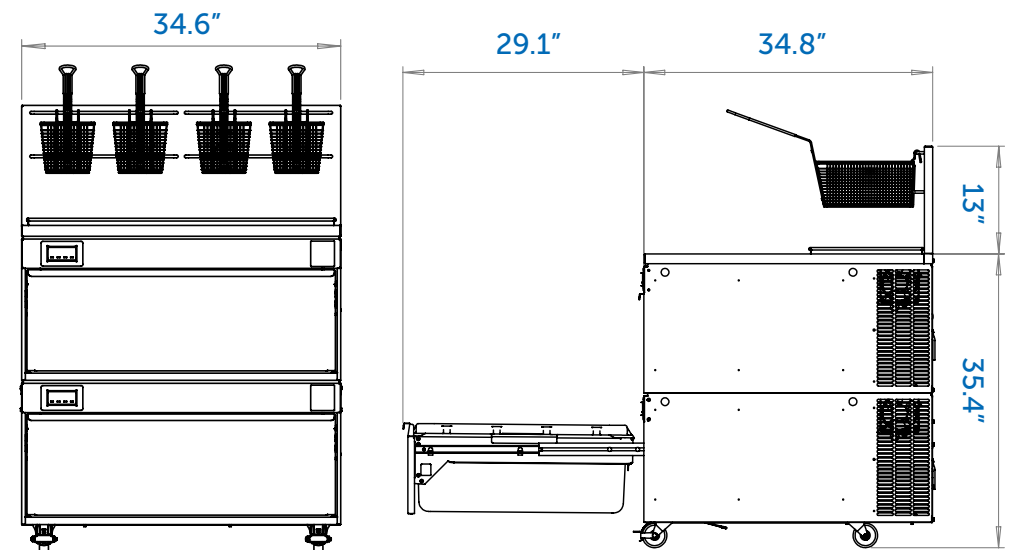
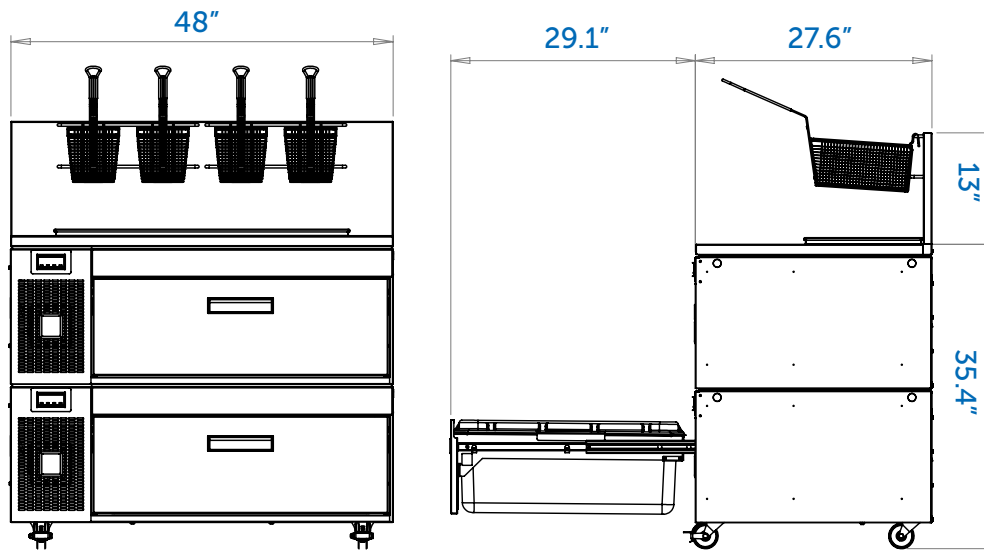
Rear Engine Double Drawer Unit (VCR2)
with Fryer Station Worktop (FR4R)

Front Elevation |

Side Elevation |

Front Elevation |

Side Elevation |



VCS2/CW/FR4S (illustrated above)

VCR2/CW/FR4R (illustrated above)

- Worktop (W) height on Standard Casters (C) 35.4"
- Worktop (W) height on High Casters (HC) 37.3"
- Worktop (W) height on Small Casters (SC) 34.1"

- Worktop (W) height on Standard Casters (C) 35.4"
- Worktop (W) height on High Casters (HC) 37.3"
- Worktop (W) height on Small Casters (SC) 34.1"